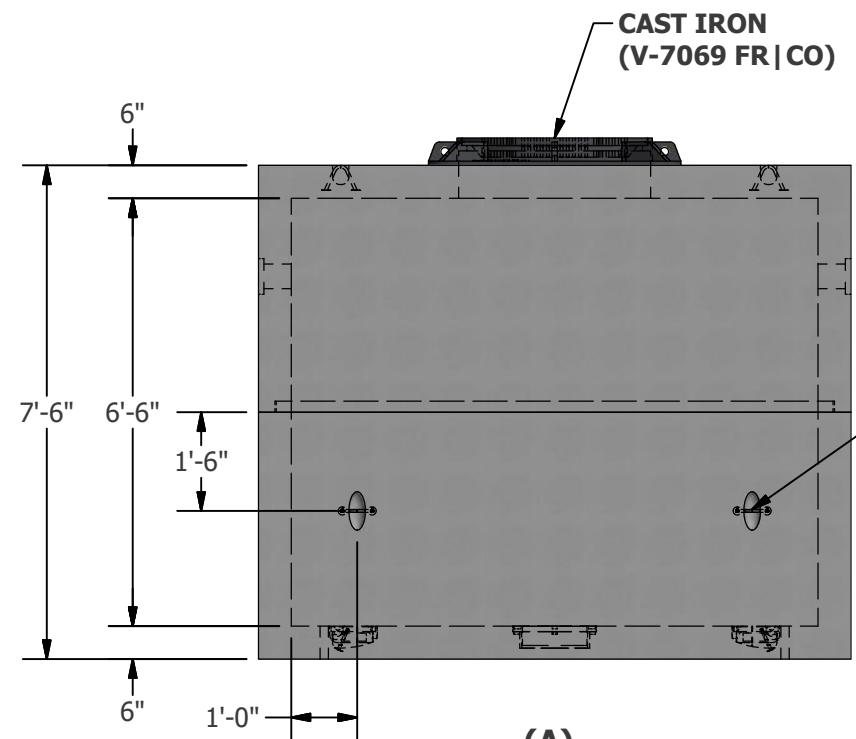


**(TOP SECTION)  
PLAN VIEW**

(LUL614G) UTILITY ANCHOR  
@ "90° TENSION" 6,500 LBS.  
CAPACITY EA. (4 REQ'D)

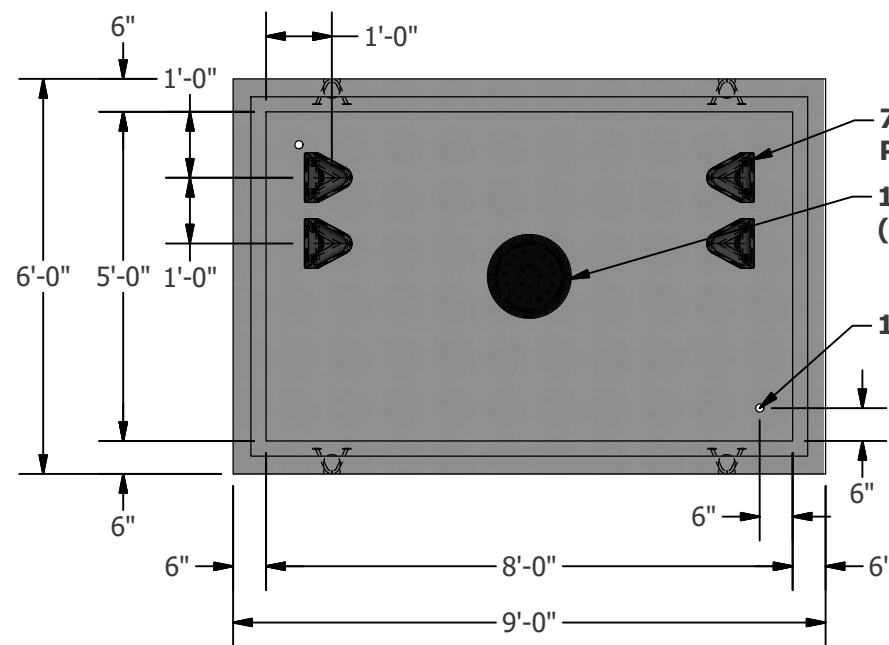
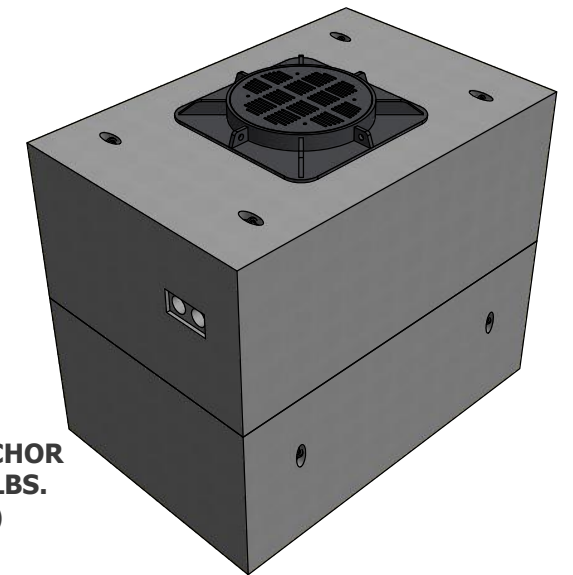
35" DIA. CLEAR OPENING



**(A)  
ELEVATION VIEW**

CAST IRON  
(V-7069 FR | CO)

(LUL614G) UTILITY ANCHOR  
@ "90° SHEAR" 10,100 LBS.  
CAPACITY EA. (4 REQ'D)

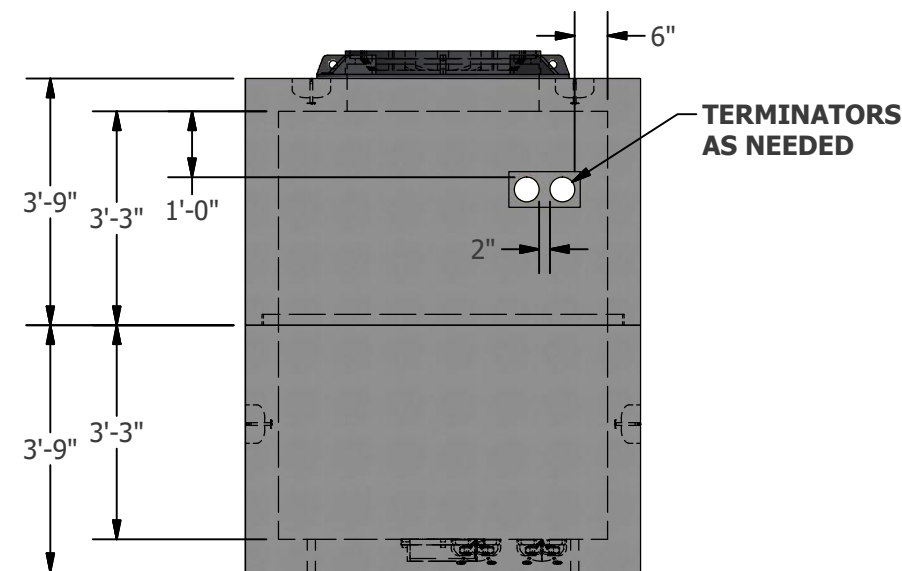


**(BASE SECTION)  
PLAN VIEW**

7/8" GALV.  
PULLING IRONS

12" DIA. PLASTIC SUMP  
(CENTERED)

1 1/2" GROUND ROD HOLE



**(B)  
ELEVATION VIEW**

TERMINATORS  
AS NEEDED

**NOTES:**

- 1) DESIGN CRITERIA IS MINIMUM USED UNLESS OTHERWISE SPECIFIED.
- 2) DESIGN LOADINGS:
  - A. AASHTO HS-20-44. W/ IMPACT.
  - B. SOIL WEIGHT = 120 PSF.
  - C. DEPTH OF OVERBURDEN 0'-0" MIN, 7'-0" MAX.
  - D. ASSUMED WATER TABLE 5'-0"
  - E. EQUIV. FLUID PRESSURE = 45 PCF.
  - F. 80 PSF. LATERAL LIVE LOAD SURCHARGE.
- 3) CONCRETE 28 DAY COMPRESSIVE STRENGTH SHALL BE 5500 PSI (MIN.)
- 4) STEEL REINFORCEMENT: REBAR, ASTM A-615 GRADE 60.
- 5) CEMENT: ASTM C-150 SPECIFICATIONS

Section	CYD	Weight
Top Section	3.2	12,620 Lbs.
Base Section	3.3	13,340 Lbs.

DASHED LINES REPRESENT HIDDEN EDGES

**DESCRIPTION**  
5'-0" x 8'-0" x 6'-6" Precast Concrete  
CENTERPOINT MANHOLE

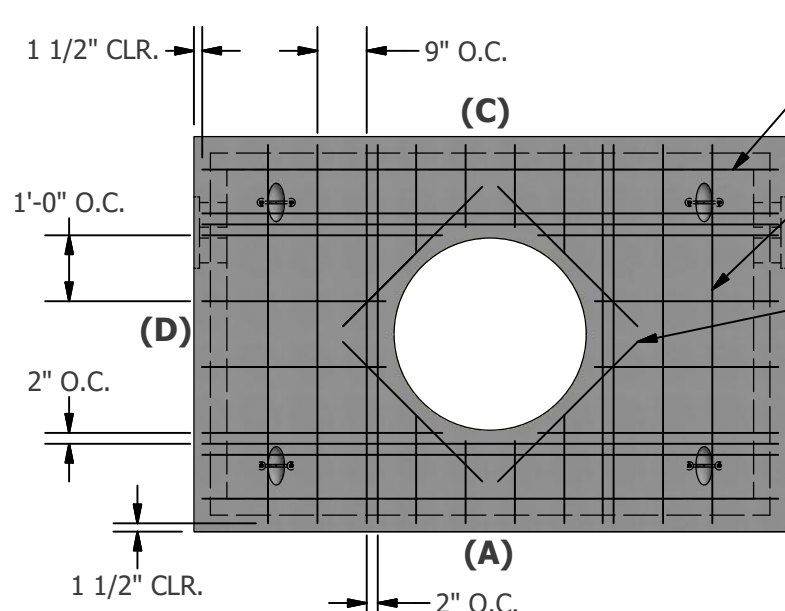
**PROJECT**

**CUSTOMER**



LIBERTY PRECAST  
18905 E. Industrial Pkwy  
New Caney, TX 77357

MODELED BY	DATE	REV	SHEET
Reydesel A.	4/30/2018	B	1 of 2

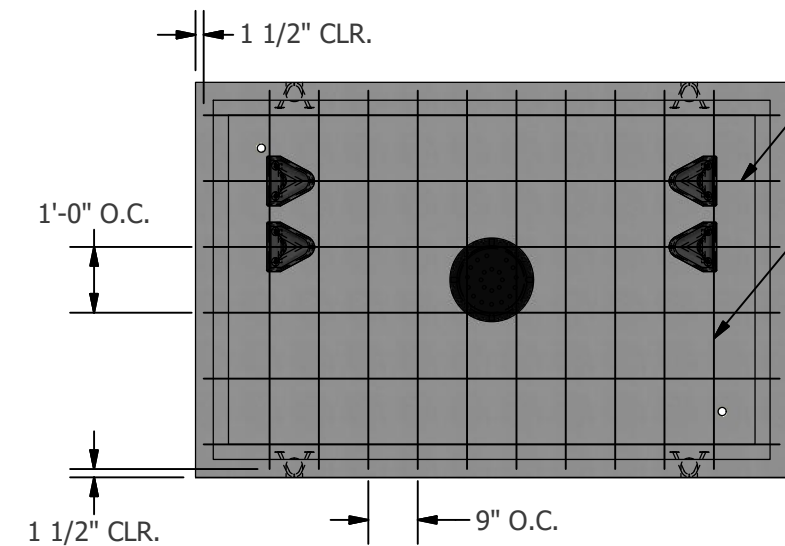


**(TOP SECTION)  
PLAN VIEW**

**REBAR-A**  
#5 x 105" REBAR  
@ 12" O.C. (10 REQ'D)

**REBAR-B**  
#5 x 69" REBAR  
@ 9" O.C. (12 REQ'D)  
1 1/2" CLR.

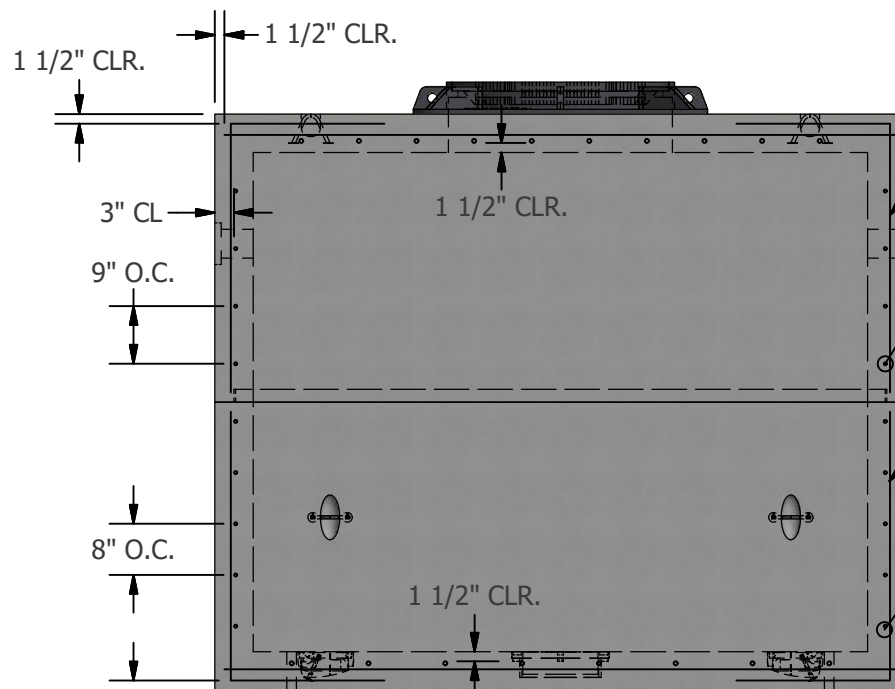
**REBAR-C**  
#5 x 36" TRIM BARS  
(4 REQ'D)



**(BASE SECTION)  
PLAN VIEW**

**REBAR-H**  
#5 x 105" REBAR  
@ 12" O.C. (6 REQ'D)

**REBAR-I**  
#5 x 69" REBAR  
@ 9" O.C. (10 REQ'D)  
1 1/2" CLR.



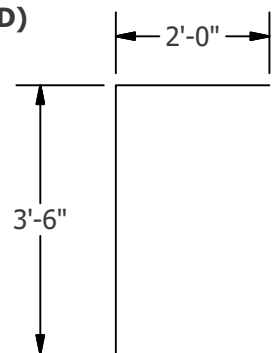
**(ELEVATION VIEW)**

**REBAR-D**  
#4 x 66" REBAR  
@ 11" O.C. (28 REQ'D)

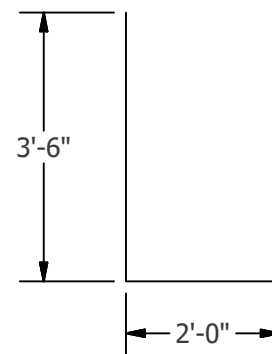
**REBAR-E**  
#4 x 216" REBAR  
@ 9" O.C. (8 REQ'D)  
CENTERLINE

**REBAR-F**  
#4 x 66" REBAR  
@ 11" O.C. (39 REQ'D)

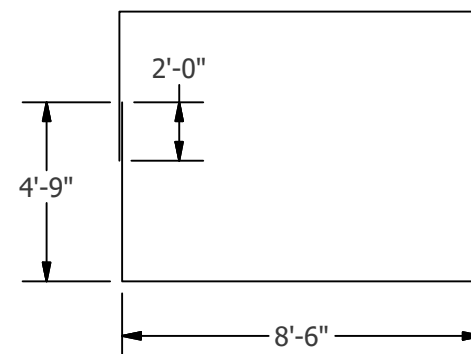
**REBAR-G**  
#4 x 216" REBAR  
@ 8" O.C. (10 REQ'D)  
CENTERLINE



**(REBAR-D)**



**(REBAR-F)**



**(REBAR-E & G)**



**NOTES:**

- 1) DESIGN CRITERIA IS MINIMUM USED UNLESS OTHERWISE SPECIFIED.
- 2) DESIGN LOADINGS:
  - A. AASHTO HS-20-44. W/ IMPACT.
  - B. SOIL WEIGHT = 120 PSF.
  - C. DEPTH OF OVERBURDEN 0'-0" MIN, 7'-0" MAX.
  - D. ASSUMED WATER TABLE 5'-0"
  - E. EQUIV. FLUID PRESSURE = 45 PCF.
  - F. 80 PSF. LATERAL LIVE LOAD SURCHARGE.
- 3) CONCRETE 28 DAY COMPRESSIVE STRENGTH SHALL BE 5500 PSI (MIN.)
- 4) STEEL REINFORCEMENT: REBAR, ASTM A-615 GRADE 60.
- 5) CEMENT: ASTM C-150 SPECIFICATIONS

Section	#	Weight
Top Section	4	200.0 Lbs.
Top Section	5	177.0 Lbs.
Base Section	4	263.0 Lbs.
Base Section	5	103.0 Lbs.

DASHED LINES REPRESENT HIDDEN EDGES

**DESCRIPTION**  
5'-0" x 8'-0" x 6'-6" Precast Concrete  
CENTERPOINT MANHOLE

**PROJECT**

**CUSTOMER**



LIBERTY PRECAST  
18905 E. Industrial Pkwy  
New Caney, TX 77357

MODELED BY	DATE	REV	SHEET
Reydesel A.	4/30/2018	B	2 of 2